



Automation for sliding gates



BZ

200 Kg



The most popular model

The low voltage motor for residential applications offers extraordinary safety and operational features in all gates up to 200 Kg (440 LBS) in weight even with intensive use.

BZ guarantees the gate's operation even when there is no power.

The automation is also designed to house emergency batteries.

24V

Standard safety and reliability

Despite its compact size, BZ offers standard operational features such as:

- **Movement controls always within reach.** The control logic can halt the gate's movement directly from the radio transmitter.
- **The control board is built into the radio receiver.** As with all CAME sliding gate automation systems, only the card for the desired frequency is required.
- **Safety even when the gate is stopped.** Every opening or closing command is cancelled when an obstacle is detected by the photocells or by other safety devices within the installation.



BZ automation also guarantees

- **Partial opening of the gate;** once passage is completed, the gate will automatically close again.
- **An opening command in complete secrecy.** By AUTO-LEARNING the radio code, the code transfer between the transmitter and the receiver takes place.
- **Operation even when there is no electric power.** BZ is also designed to be powered with emergency batteries that can be incorporated into the automation system.
- **A total safety system.** Built into the unit, the control board powers the motor and all the accessories connected to the **low voltage (24V) system; the ANTI-CRUSHING** electronic system automatically inverts or halts movement when even the smallest obstacle is present.



Technical information

Type	BZ	
Protection level	IP54 (NEMA 3)	
Power supply	V	230 (110V) AC
Motor power supply	V	24 DC
Capacity	W	170
Manoeuvre speed	m/min	12
Duty cycle	%	50
Thrust	N	300
Operating temperature	°C	-20°C min. +70°C max.
Max. gate weight	Kg	200



BX

400 Kg
600 Kg
800 Kg

Automation with intelligence

An evolution in command logic and in the motorized gate system's control: CAME offers a range of automation systems for sliding gates up to 400-600-800 Kg (880-1300-1700 LBS) suitable for various installations, operations and safety requirements. Options include the basic version for residential use, to more sophisticated versions equipped with an ENCODER for a constant electronic control of the system, or with a low voltage motor for constant, intensive operation.



BX automation also means

- **The possibility of also controlling partial opening via radio transmitter.** Ideal for situations in which the sliding gate must be opened for passage on foot. Once passage takes place, the gate will close automatically.
- **Greater safety even with the gate closed.** All automatic commands are cancelled when obstacles are detected by the photocells.
- **A pre-flashing function.** As with all CAME automation systems, this safety function signals the opening of the gate via a flashing lamp, thus allowing time to clear the area and facilitating the vehicle's entry or exit.
- **The possibility of manual gate opening during a power failure.** A convenient unlocking handle, protected by a locked door, allows the user to open the gate manually.



When and why request the 24V motor version

- **To guarantee operation even when there is no power:** all that needs to be done is to connect the automation to an emergency battery unit.
- **For the possibility of adjusting the opening and closing speed** to make the gate's movement smoother and safer.
- **For the possibility of adjusting full opening and closing times** according to operating needs.
- **For extra safety:** an amperometric device run from the control board, electronically detecting obstacles and halting the gate's movement.
- **For intensive use** thanks to the motor's low voltage, allowing continuous cycles.
- **For complete safety:** motors and accessories connected to the system are powered with low voltage.

Technical Information

Types	BXA	BXB	BXE	BX241	BXE241
Protection level	IP54 (NEMA 3)				
Power supply	V 230 (110V) AC				
Motor power supply	V 230 (110V) AC	230 (110V) AC	230 (110V) AC	24 AC	24DC
Capacity	W 200	300	300	400	400
Manoeuvre speed	m/min 10	10	10	12	6-12*
Duty cycle	% 30	30	30	intensive operation	
Thrust	N 300	800	800	800	800
Motor thermal protect.	°C 150	150	150		
Operating temperature	°C -20°C min. +70°C max.				
Max. gate weight	Kg 400	600-800**	600-800**	800	800

* Adjustable

** 800 Kg (1700 LBS) for residential use / 600 Kg (1300 LBS) for condominium use



BK

1200 Kg
1800 Kg
2200 Kg



Safety and versatility: Custom-made automation

Complete solutions with the widest selection of gate systems for multi-user and public entrances such as industries, condominiums, hospitals and institutions in general. The BK product range is composed of 6 door versions for gates up to 1.200 - 1.800 - 2.200 Kg (2600-3900-4800 LBS). The products' versatility is also due to innovative operative characteristics such as the ENCODER for constant control of the gate's run.



Not just automation but also

- **Total passage control.** The automation system can be connected to various activated CAME control systems that can identify, memorize and allow entry or exit exclusively to authorized personnel such as in business complexes.
- **The system's complete safety at each opening or closing command.** Prior to activating the motor, the electric panel executes a complete AUTOTEST of all connected safety devices.
- **A complete system,** the RECEIVER for remote control reception is already incorporated to the control board, all that is needed is the card for the desired frequency.
- **The automation's protection,** the fastening and control system within the automation; using this type of assemblage the automation is made tamperproof.

Many more services

In addition to the usual control and safety characteristics, the new control logic provides some service functions that optimize automation, such as:

- the **STOP** and **PARTIAL OPENING** commands available also from the radio transmitter, thus allowing optimizing and adapting the gate's opening according to need;
- the possibility of connecting a **light to illuminate the driveway** whenever the gate's opening command is activated.

RELIABILITY THANKS TO ATTENTION TO DETAIL: all the models are equipped with control boards incorporated in the unit which are hermetically isolated from the motor to further protect the electronic board from external agents.

EVERYTHING IS SIMPLER EVEN WHEN POWER IS OUT: supplied as standard, the convenient unlocking key facilitates manual opening of the gate; the unlocking device's access door is also protected by a lock that can easily be customized and standardized with other CAME equipment.



Technical information

Types	BK	1200/E	1800/E	2200/E	2200T
Protection level		IP54 (NEMA 3)			
Power supply	V	230 (110V) AC		220/380 AC	
Motor power supply	V	230 (110V) AC		220/380 AC	
Capacity	W	380	480	580	600
Manoeuvre speed	m/min	10,5			
Duty cycle	%	50			
Thrust	N	850	1.150	1.500	1.650
Motor thermal protection	°C	150			
Operating temperature	°C	-20°C min +70°C max			
Max. gate weight	Kg	1.200	1.800	2.200	2.200



BY

3500 Kg

CAME reliability to the maximum potential

The automation solution for sliding gates completing the product range offered by CAME;

BY 3500T was designed for all special gate system applications up to 3.500 Kg (7700 LBS).

A compact single block unit equipped with a built-in control board assuring long-term operation even with the most demanding work applications.



Beyond industrial applications

Designed to drive all types of special size or special use gate systems. The following systems can be motorized with BY3500T:

- **Sliding gates built into building structures**, allowing automation solutions even in special architectural situations.
- **Armoured gates or doors.**
- **Airport or heliport sliding hangar doors** possessing special features with regard to weight and dimensions.

The use of a **BY3500T** automation system is nonetheless recommended in all situations in which the automation must guarantee **intensive operation**, in addition to possessing special capacity characteristics.



Power with control and safety

Due to the types of application, this automatic system comes equipped with a new generation electronic control board providing all the safety features for the system's total control, such as:

- **the complete AUTOTEST** of all the safety devices connected to the system prior to activating the motor;
- the possibility of connecting **a lamp that illuminates the passage area each time the gate's opening** command is activated;
- **the door's PARTIAL OPENING** to optimize and adapt the gate's opening according to need, such as selecting the passage of a vehicle or a person for "entry only" or "exit only".

When considering the type of application, it is suggested that in addition to safety devices provided by the current regulations in force, the installation of any device that may guarantee total safety and reliability for the user.



Technical information

Type	BY3500T	
Protection level	IP54 (NEMA 3)	
Power supply	V	220 / 380 AC three-phase
Motor power supply	V	220 / 380 AC three-phase
Capacity	W	750
Manoeuvre speed	m/min	10,5
Duty cycle	%	50
Thrust	N	3.500
Motor thermal protection	°C	150
Operating temperature	°C	-20°C min. +70°C max.
Max. gate weight	Kg	3.500





Convenience and safety

It is mandatory to install all the safety accessories recommended by the UNI 8612 standards in force in all automation systems. By choosing an automation system complete with all its control and safety accessories, CAME guarantees total SAFETY and maximum CONVENIENCE on ALL products installed.



Convenience and safety in a single touch

Opening the motorized gate via remote control has become much **EASIER**. The **CAME** transmitter from the **TOP** series is elegant, ergonomic, easy to grip and made with a practical rubber attachment for your key-ring; most of all, just one touch is enough. Depending on your needs, different remote controls are available in terms of size, frequency and type of performance. Automatic commands can be activated via:

- **Keypads**, with a **PERSONALIZED CODE of your choice** guaranteeing **secrecy** and **safety** thanks to an **ELECTRONIC ANTI-TAMPERING** system.
- **Custom key switches** for surface and flush mount applications.
- **Magnetic key readers** and **loop detectors** for motor vehicle detection.

Greater safety with CAME automatic systems

Safety systems are doubtlessly the most important devices in an automation where safeguarding people and vehicles is fundamental. The **movement signaling flashing lights** and the **new ANTI-COLLISION** beams of the **special photocells** are indispensable in a gate system complying with the safety regulations in force.

Safety edges are also necessary when the gate automation does not include certain safety parameters or when installed for special applications.

The infrared photoelectric edges offered by **CAME** guarantee a more effective solution for numerous active protection needs required by the **UNI 8612 safety standards** in force.

Operation with these devices is guaranteed even in cases where the rubber section is damaged; they may be applied either on the moving gate or the fixed parts, in lengths up to 8 m (26 ft).

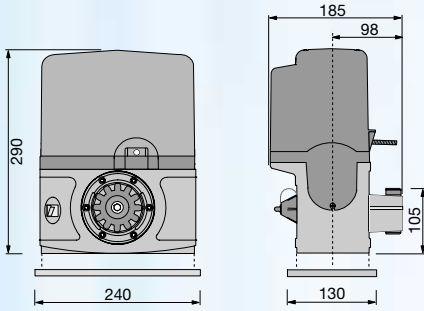


Consult the **CONTROL ACCESSORY** and **SAFETY** catalogue to see our complete selection of original **CAME** accessories and decide the best solution for your needs.

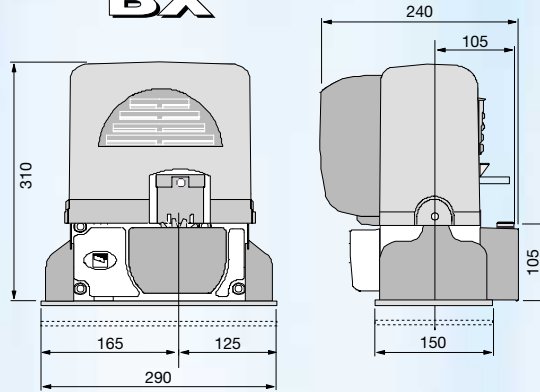
The automation system of your choice will offer you total **SAFETY** and maximum **CONVENIENCE**.

Overall dimension

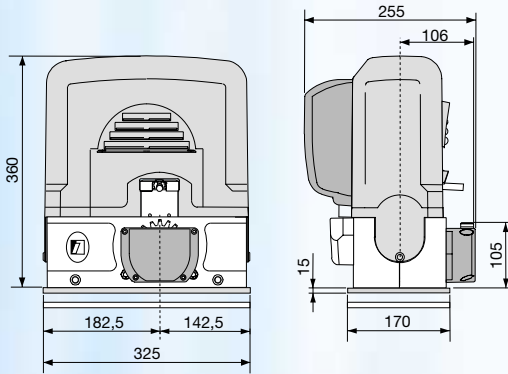
BZ



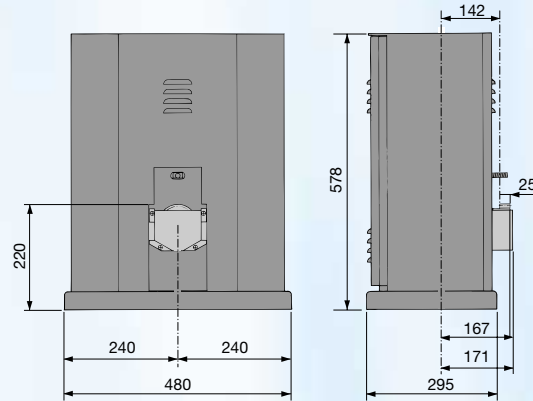
BX



BK



BY3500T



Sliding gates Installations for residential operators

• Fotocell column

• Radio transmitter

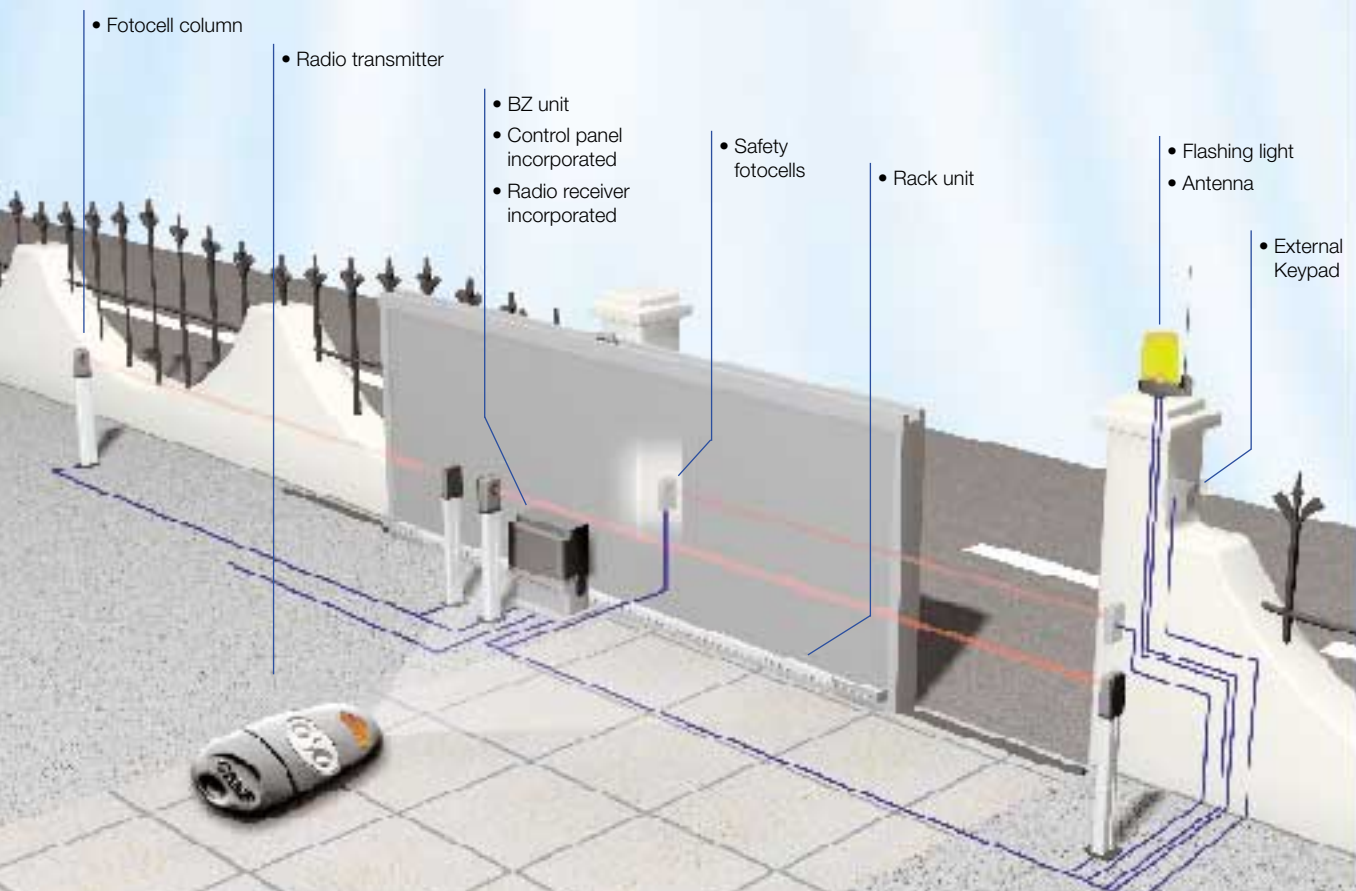
• BZ unit
• Control panel incorporated
• Radio receiver incorporated

• Safety fotocells

• Rack unit

• Flashing light
• Antenna

• External Keypad





internet: www.came.it
e-mail: info@came.it



CAME CANCELLI AUTOMATICI S.P.A.
VIA MARTIRI DELLA LIBERTÀ, 15
31030 DOSSON DI CASIER
TREVISO - ITALY

CAME SUD S.R.L.
VIA FERRANTE IMPARATO, 198
CM2 LOTTO A/7
80146 NAPOLI - ITALY

CAME LOMBARDIA S.R.L.
PIAZZA CASTELLO, 16
20093 COLOGNO MONZESE
MILANO - ITALY

CAME FRANCE S.A.
7 RUE DES HARAS
92737 NANTERRE CEDEX
PARIS - FRANCE

CAME AUTOMATISMOS S.A.
C/JUAN DE MARIANA, 17
28045 MADRID
ESPAÑA

CAME AUTOMATISMOS CATALUNYA S.A.
POL. IND. MOLÍ DELS FRARES - CARRER A, 23
08620 SANT VICENÇ DELS HORTS
BARCELONA - ESPAÑA

CAME GmbH
BERGSTR., 17/1
70825 KORNTAL BEI STUTTGART
DEUTSCHLAND

CAME GmbH
AKAZIENSTR. 9
16356 SEEFELD BEI BERLIN
DEUTSCHLAND

CAME (AMERICA) L.L.C.
2293 NW 82 AVENUE
MIAMI (FL) 33122
U.S.A.

CAME UNITED KINGDOM LTD
UNIT 3, ORCHARD PARK IND. EST.
TOWN STREET, SANDIACRE
NOTTINGHAM - NG10 5BP - U.K.

CAME PL Sp. z.o.o.
UL. ORDONA, 1
01 - 237 WARSZAWA
POLAND

CAME BELGIUM
ZONING OUEST, 7
7860 LESSINES
BELGIE

CAME is Europe's leading manufacturer of a complete range of **electromechanical automatic** gate control systems. Top-quality control systems designed for external installation and with **no need of periodic maintenance** are the basis for the success of **CAME** products. **CAME** automatic systems can be fitted also on an existing gate: your local **CAME** dealer will be delighted to help you selecting the system which best suits your requirements.

The range of **CAME** automatic systems includes:

Automation for **sliding gates**

Automation for **swing gates**

Automation for **garage and sectional doors**

Automation for **shutters and industrial gates**

Automation for **car parks and street barriers**

Automatic Pedestrian doors

Systems for **access control**

Accessories for **control and safety**



PRODUCTS
CE