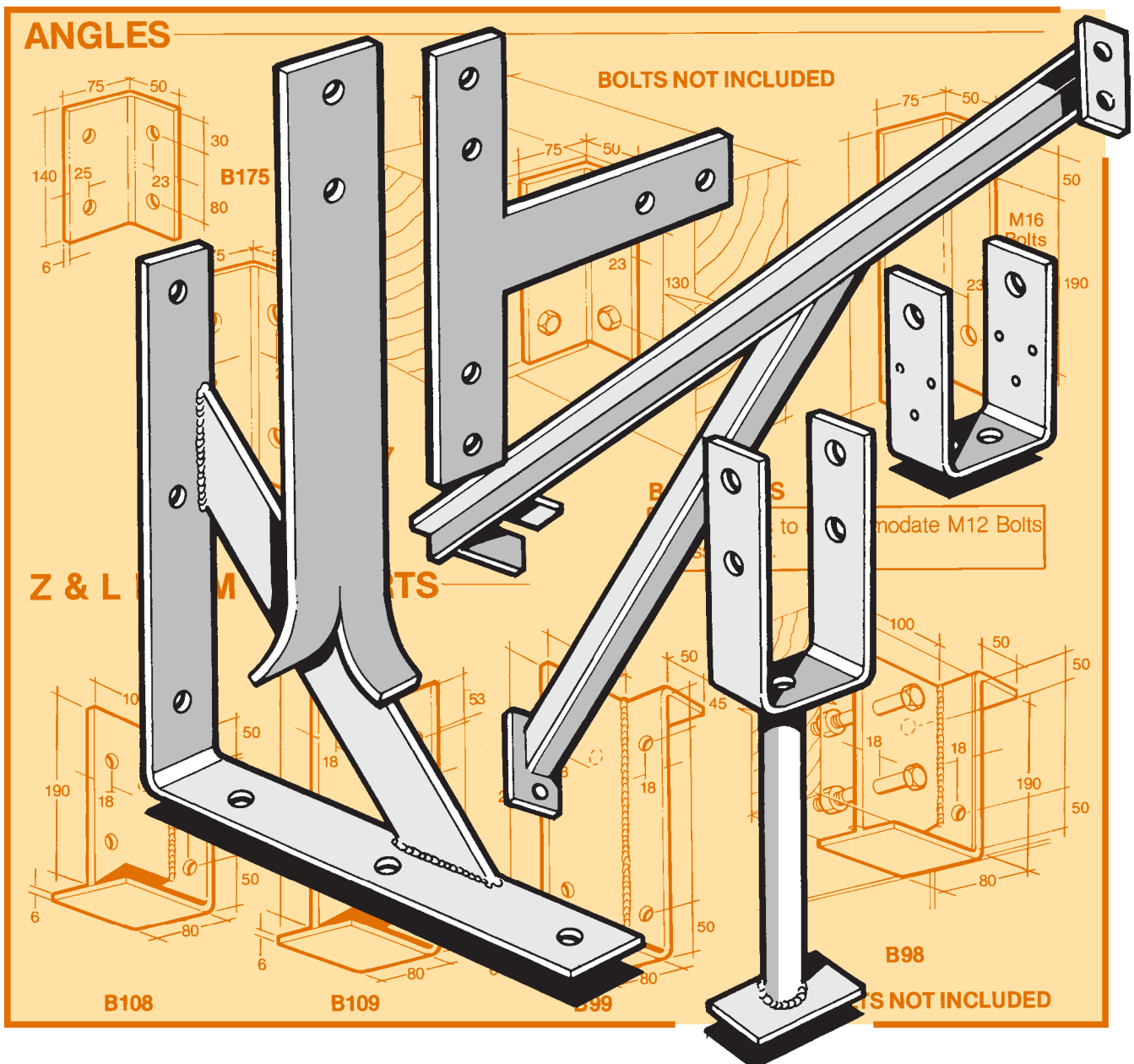




STRUCTURAL BRACKETS CATALOGUE

SUPERIOR QUALITY, HOT DIP GALVANISED, HEAVY
DUTY BRACKETS FOR FIXING TIMBER TO TIMBER,
TIMBER TO CONCRETE, TIMBER TO STEEL



The BOWMAC product range is designed to cut building costs. The extensive range of brackets suits all types of timber construction, and provides the designer and builder with a versatile, economic and very extensive joining system.

BOWMAC Brackets are available from leading builders supply merchants throughout New Zealand.

DESCRIPTION

The BOWMAC product range of fixing brackets, supports and braces are specifically designed for use in all types of timber construction. All products utilise high grade steel and rigorous quality control ensures a quality product.

STANDARDS

Applicable timber standards are NZS3603 and NZS3604.

GALVANISING

All components are hot dip galvanised after manufacture with a minimum zinc coating of:

500 g/m² for steel thickness 3mm - 6mm

Galvanising standard: AS/NZS 4680 1999

DESIGN LOADING

These can be derived from the allowable bolt loads in timber, using the relevant design code.

Recommended loadings for pole to brace cleats B128, B145 & B155 only are shown here.

Refer to separate brochure for loadings data.

STANDARD PRODUCT RANGE

This catalogue details the standard range of BOWMAC products.

Refer to separate brochure for Stainless Steel 304 - 2B product.

SPECIAL PRODUCTS

BOWMAC also manufactures custom made products to specific requirements. A lead time by discussion is required to allow for manufacture.

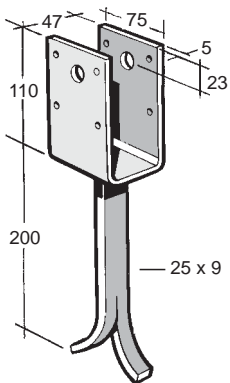
AVAILABILITY

The BOWMAC product range is available from leading builders supply merchants throughout New Zealand.

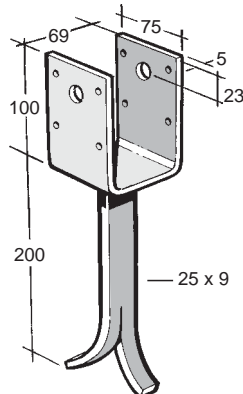
END USE

The purchaser is responsible for checking the suitability of any component for it's intended use.

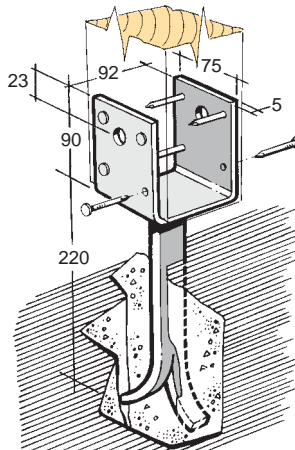
POST AND BEARER BRACKETS



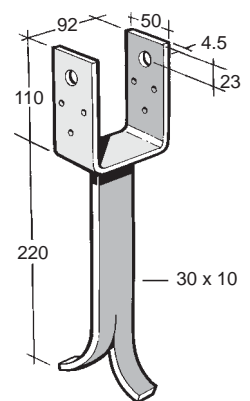
B132
(Nails Included Only)



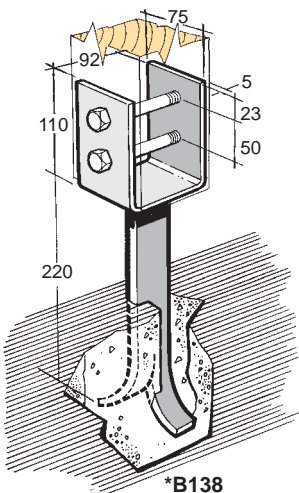
B133
(Nails Included Only)



B134
(Nails Included Only)

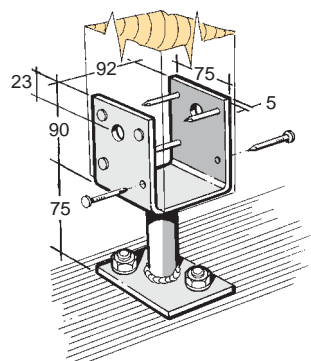


***B135**
(Nails & Bolt Included)

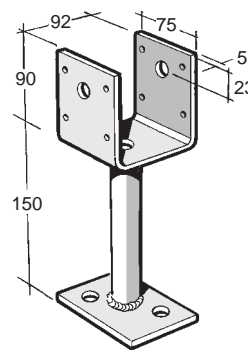


***B138**
(Bolts Included)

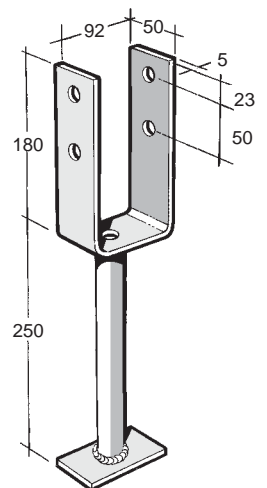
* Similar also available
in stainless steel 304-2B
Refer to brochure



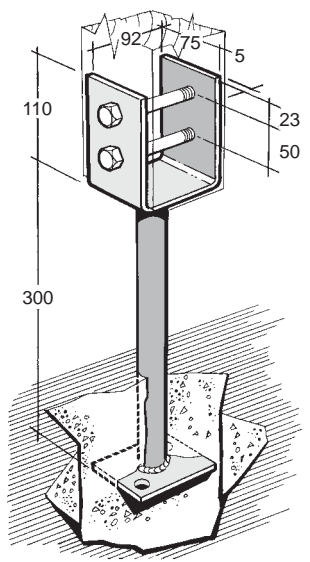
B12
(Nails Included Only)



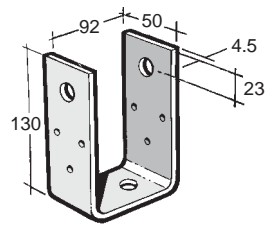
B14
(Nails Included Only)



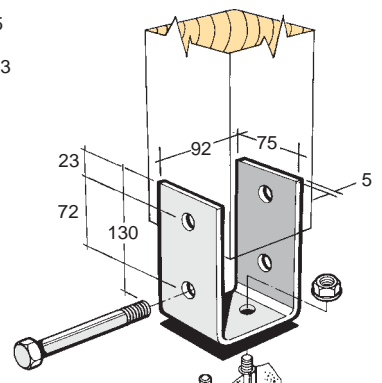
B16 (High Wind)
(Bolts Not Included)



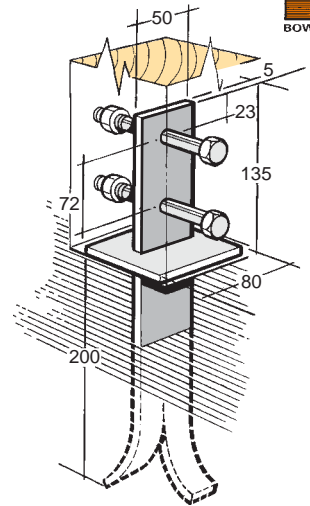
B18
(Bolts Included)



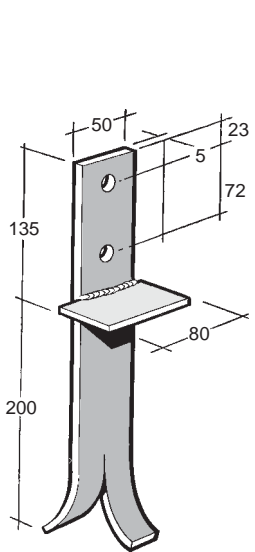
***B25**
(Nail, Bolt and 2 Dyna Bolts Included)



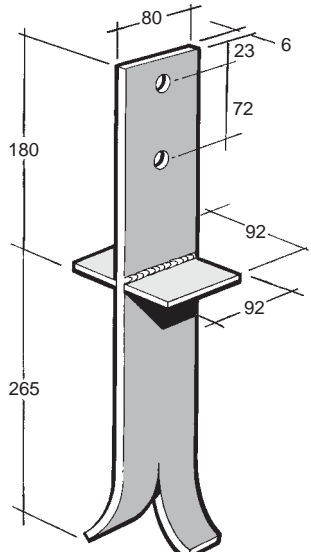
***B28**
(Bolts and 2 Dyna Bolts Included)



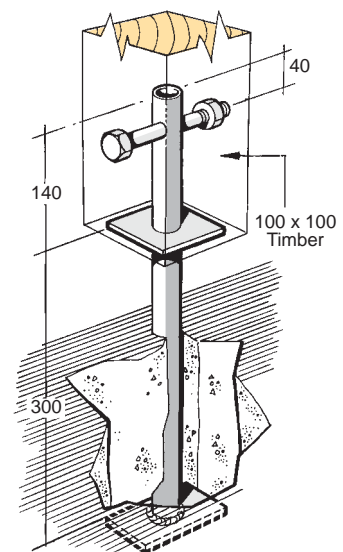
B195



B196



***B197**



B198

BOLT & NAIL SIZES

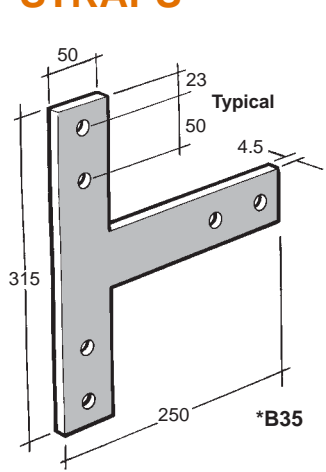
FIXING NOTE

All bolt holes accommodate M12 Bolts unless noted.
Nail holes to accommodate 40mm x 3.15Ø F. Head square twisted shank nails.
Hot dip galvanised.

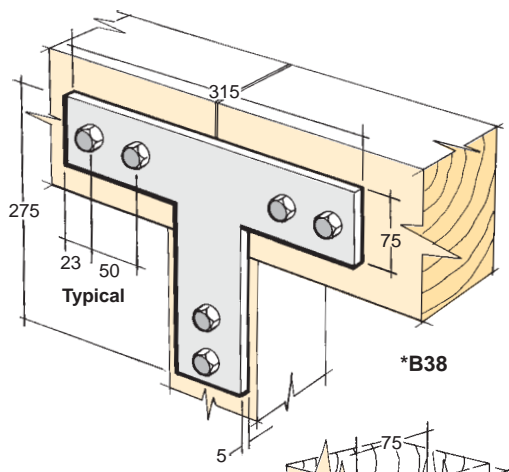
BOLTS NOT INCLUDED UNLESS NOTED

* Similar also available in stainless steel 304-2B
Refer to brochure

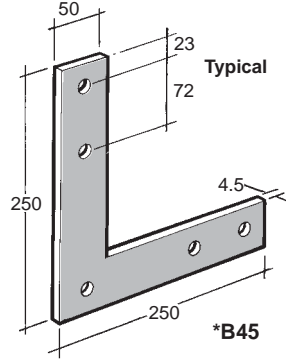
STRAPS



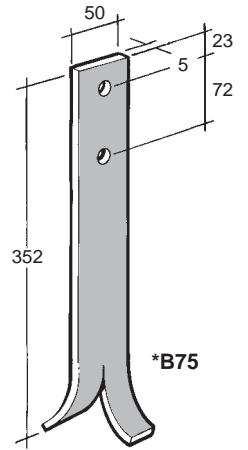
***B35**



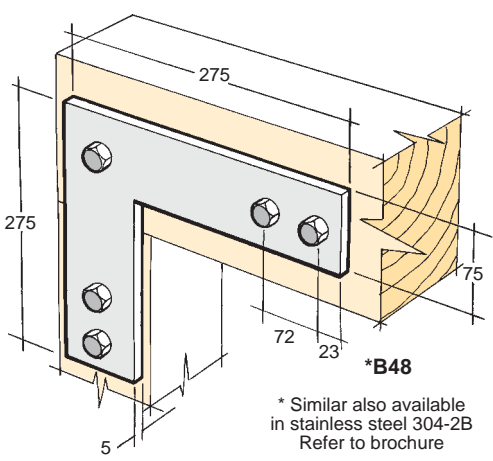
***B38**



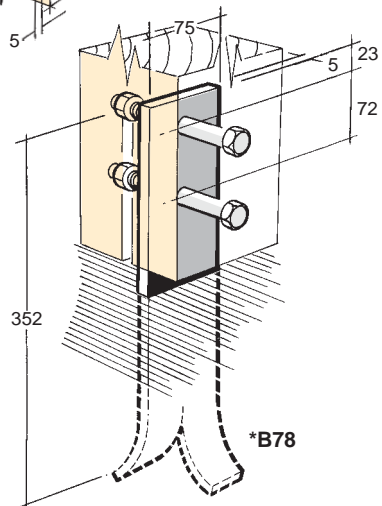
***B45**



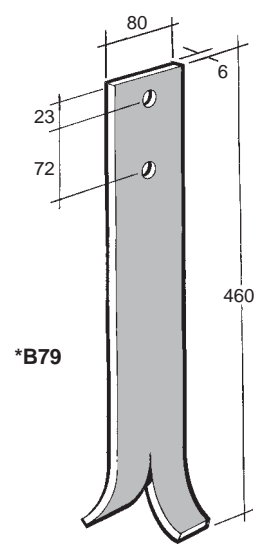
***B75**



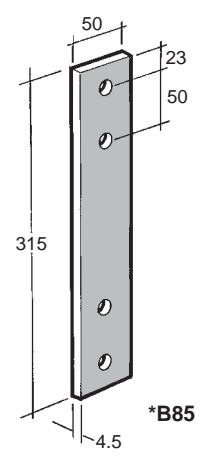
***B48**



***B78**



***B79**

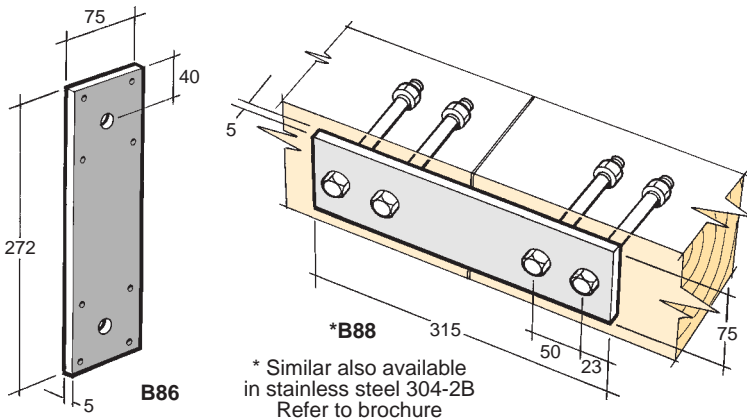


***B85**

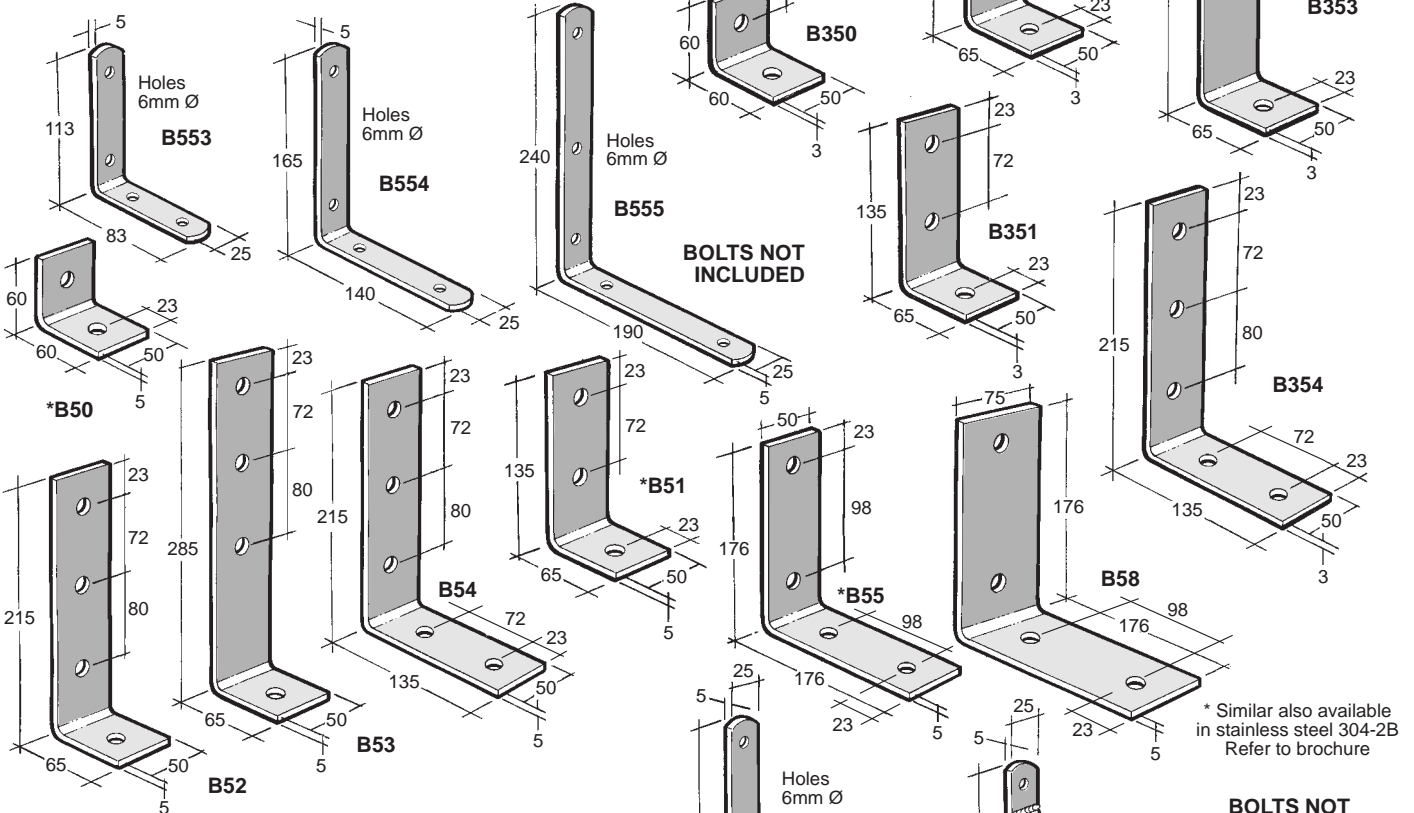
* Similar also available in stainless steel 304-2B
Refer to brochure

BOLT & NAIL SIZES

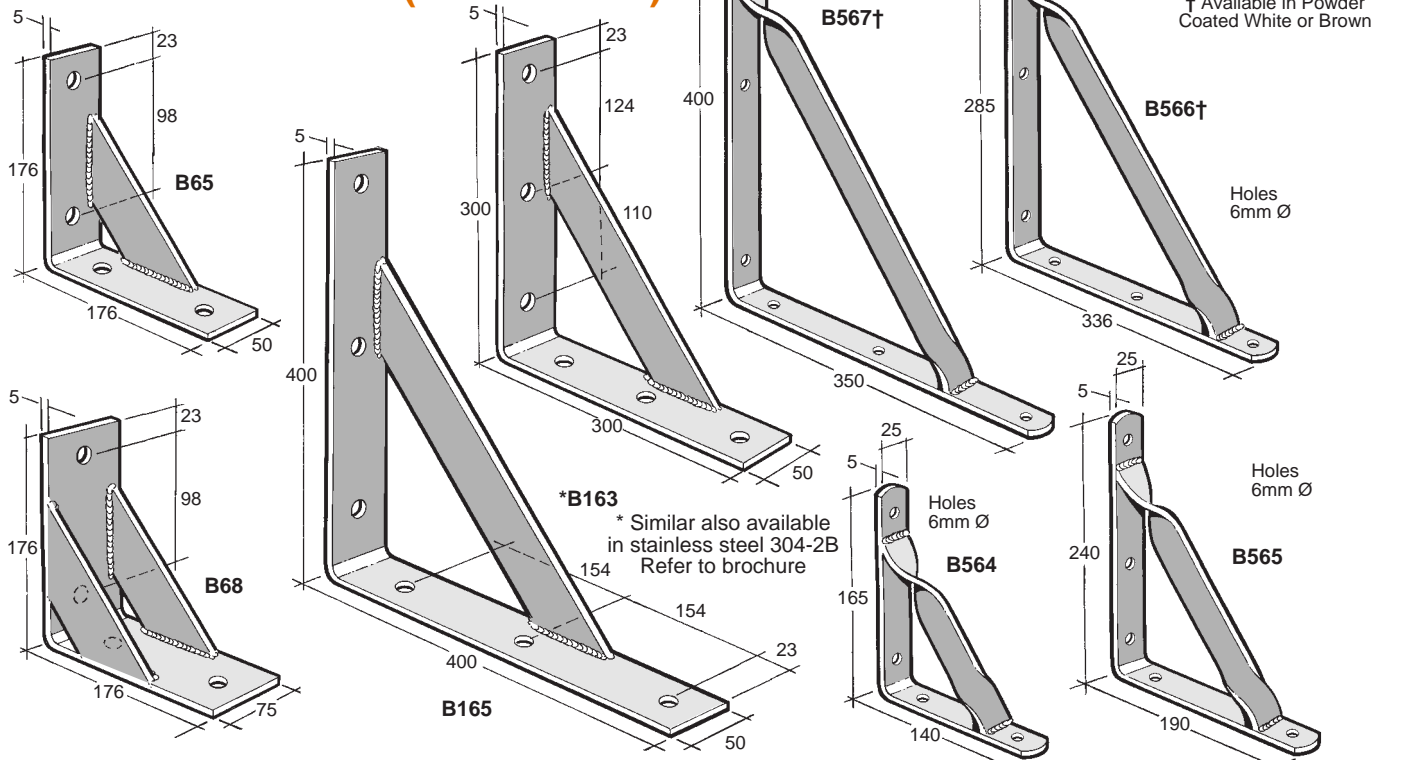
All bolt holes to accommodate M12 Bolts unless noted.
 Nail holes to accommodate 40mm x 3.15Ø F. Head square twisted shank nails.
 Hot dip galvanised.



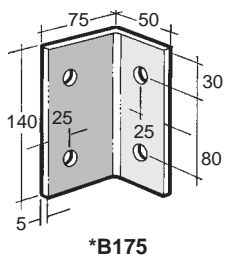
ANGLE BRACKETS (No Gusset)



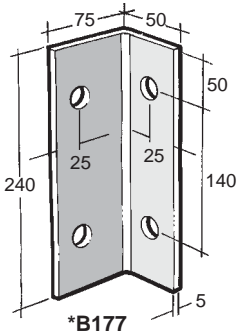
ANGLE BRACKETS (With Gusset)



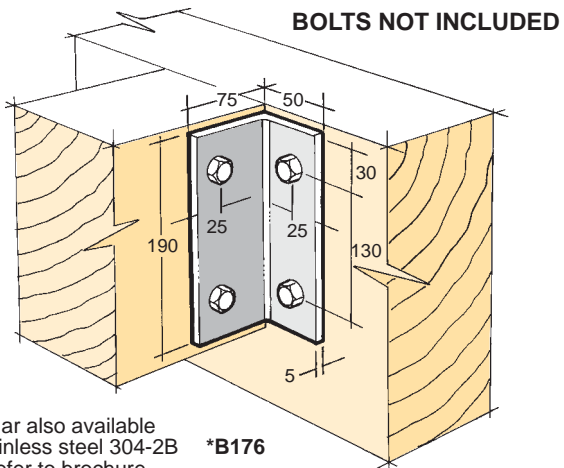
ANGLES



***B175**

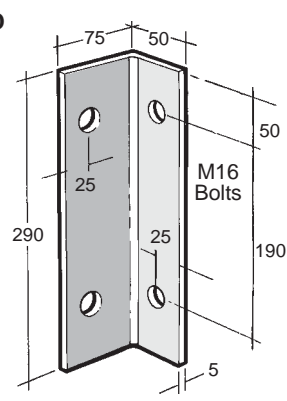


***B177**



BOLTS NOT INCLUDED

***B176**



B178

M16 Bolts

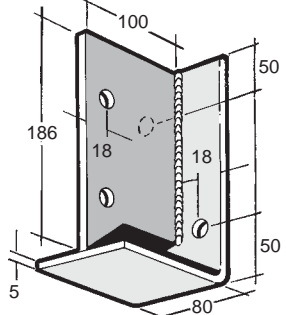
BOLT SIZES

All bolt holes to accommodate M12 Bolts unless noted.

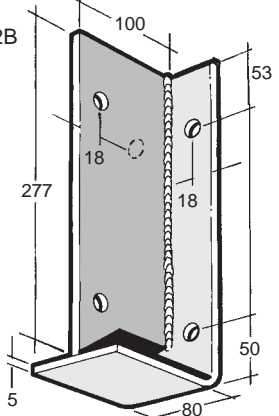
*Similar also available in stainless steel 304-2B Refer to brochure

Z & L BEAM SUPPORTS

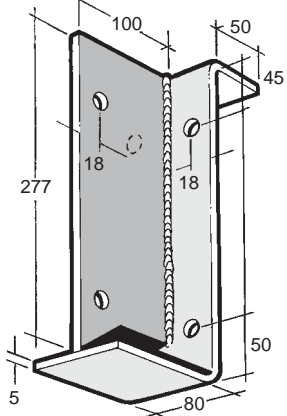
*Similar also available in stainless steel 304-2B Refer to brochure



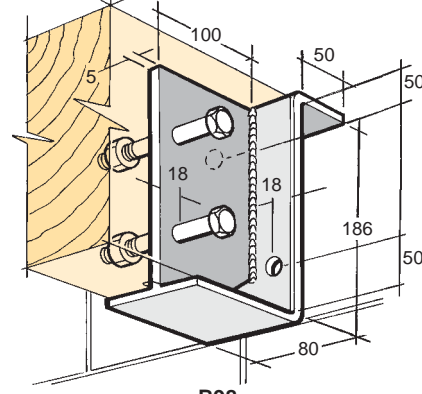
***B108**



B109



B99

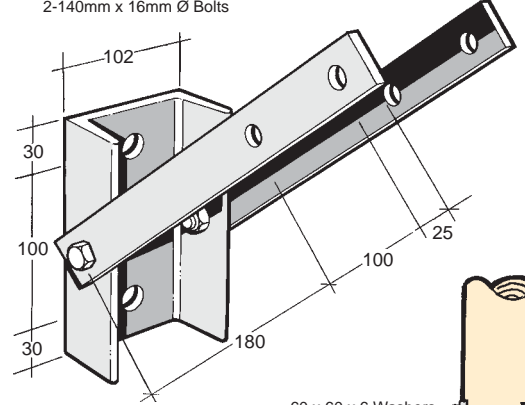


B98

BOLTS NOT INCLUDED

B155 POLE BRACE BRACKET

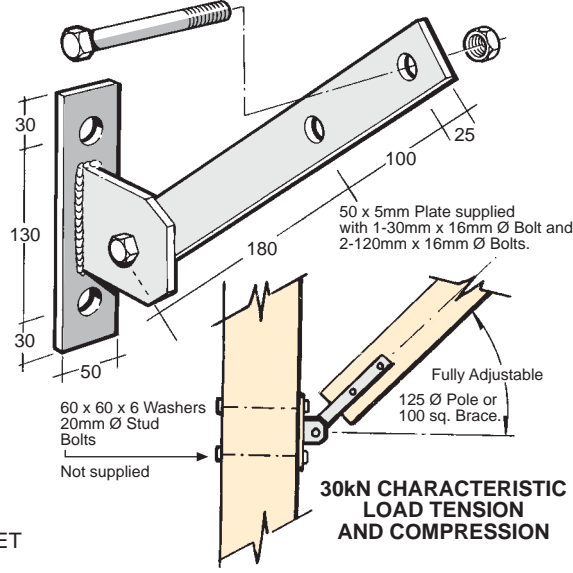
Ex 50 x 5mm Plate 102 x 50 Channel Spacer. Supplied with 2-30mm x 16mm Ø Bolts and 2-140mm x 16mm Ø Bolts



42kN CHARACTERISTIC LOAD TENSION AND COMPRESSION

*Similar also available in stainless steel 304-2B Refer to brochure

*B145 POLE BRACE BRACKET

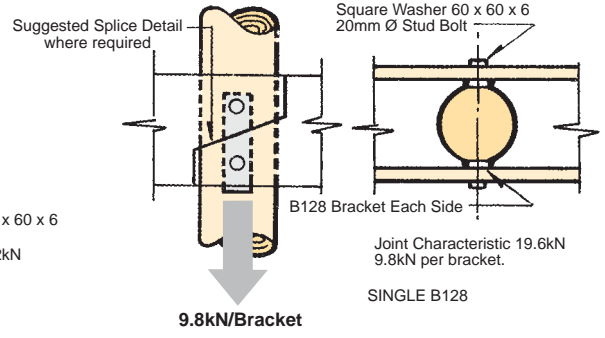
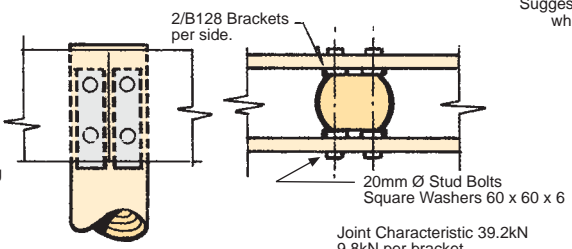
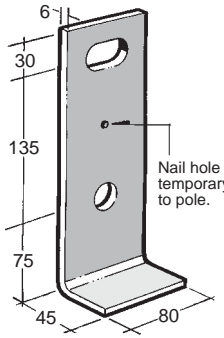


30kN CHARACTERISTIC LOAD TENSION AND COMPRESSION

60 x 60 x 6 Washers 20mm Ø Stud Bolts Not supplied

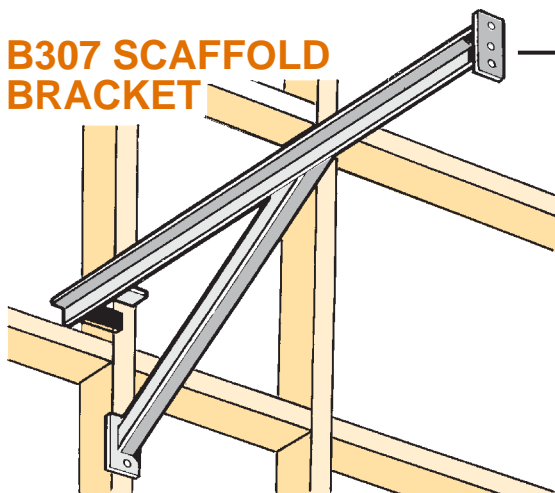
POLE BRACE BRACKET

B128 POLE BEAM BRACKET

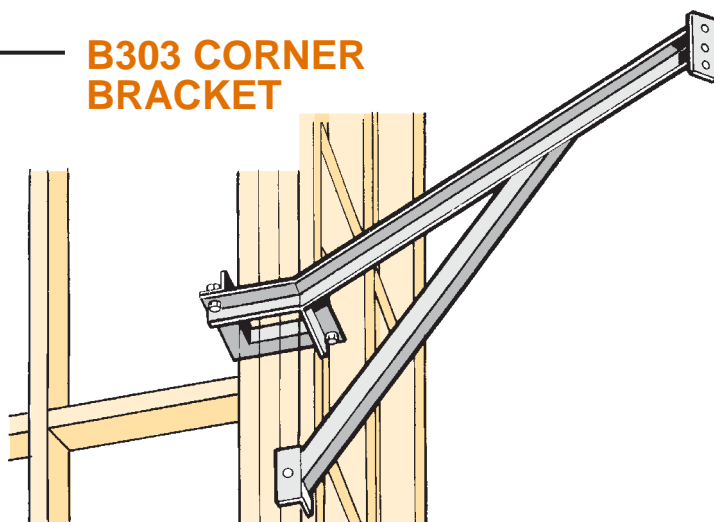


POLE CONSTRUCTION DETAILS (BOLTS NOT INCLUDED)

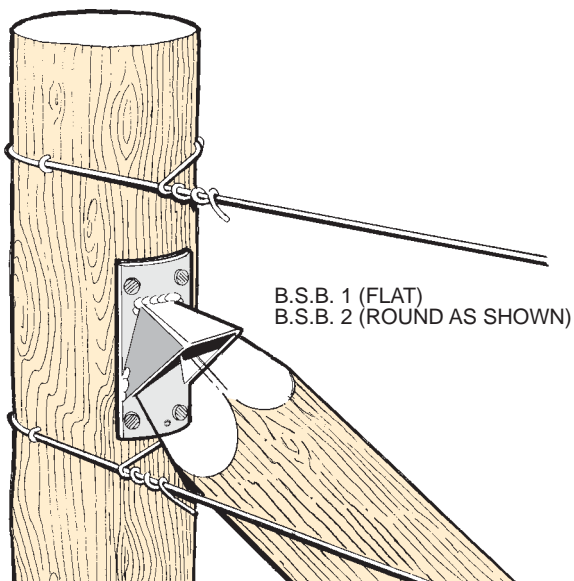
B307 SCAFFOLD BRACKET



B303 CORNER BRACKET

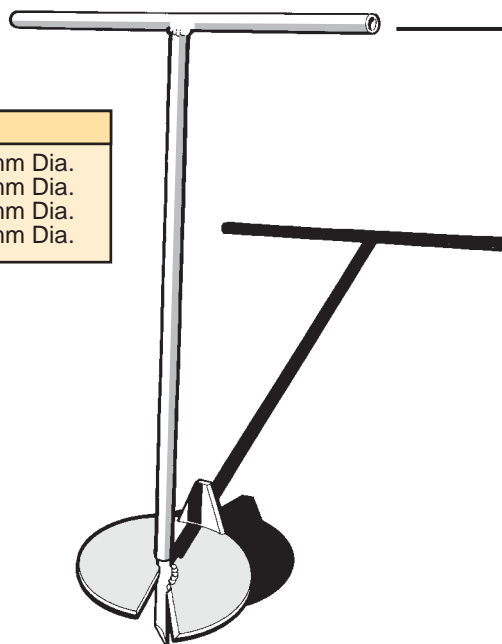


FENCE STAY BRACKET



BONZER BORER

| MODEL | SIZE |
|-------|------------|
| BB100 | 100mm Dia. |
| BB150 | 150mm Dia. |
| BB200 | 200mm Dia. |
| BB250 | 250mm Dia. |



MiTek New Zealand Ltd.

AUCKLAND
PO Box 58-014, Greenmount
Phone: (09) 274 7109
Fax: (09) 274 7100

CHRISTCHURCH
PO Box 8387, Riccarton
Phone: (03) 348 8691
Fax: (03) 348 0314

www.mitek.nz.co.nz

HOME OF GANG-NAIL® BUILDING SYSTEMS